
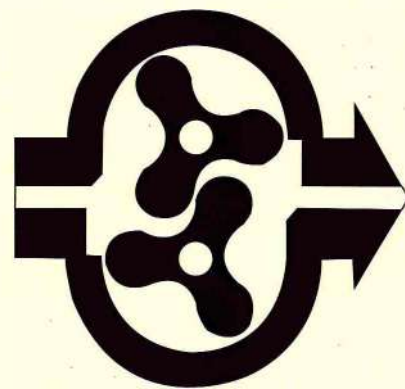
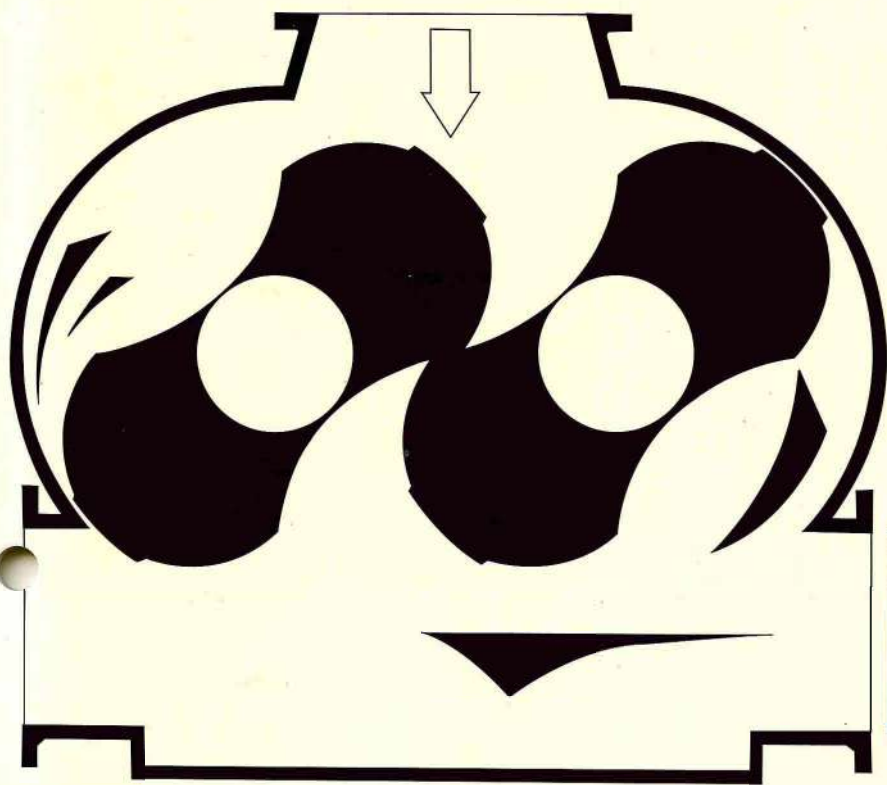


PT ALAT INDUSTRI UTAMA
Agents of Pumps, Vacuum Pumps, Blowers
Address : Jababeka Bizpark Blok D/16
021-89323405 / WA 085373893159
sales@alatindustriutama.com

Fu  Tsu

富資機械工業股份有限公司

魯氏鼓風機



LOW NOISE
低噪音

**ROOTS-TYPE
ROTARY BLOWER**



大晃機械工業株式会社 技術合作
TAIKO KIKAI INDUSTRIES CO., LTD

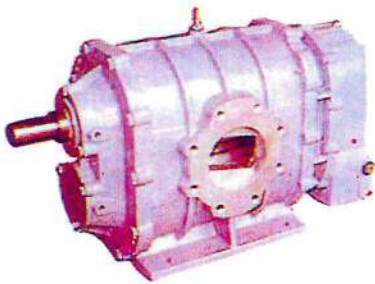
特點：

1. 風量壓力真空度範圍大
 口徑：50mm-500mm(2"-20")
 風量：0.4-490M³/min(14-17300CFM)
 壓力：
 一段TS型可達6000mmAq.(0.6 kg/cm²)
 R型可達10000mmAq.(1 kg/cm²)
 二段TR型可達20000mmAq.(2 kg/cm²)
 真空度：
 一段可達-5000mmAq.(-400mm Hg.)
 二段可達-8000mmAq.(-600mm Hg.)
2. 排出氣體不含油污
3. 電腦動平衡校正-低振動低噪音。
4. 風量穩定，壓力變化對風量之影響小。
5. 特殊葉輪設計，高效率省能源。
6. 構造簡單堅固，無故障。
7. 使用一級研磨齒輪，精度高、壽命長、低噪音。
8. 嚴格品質管理，標準化製品。

Features:

1. Capacity, Pressure and Vacuum range
 Bore:50mm-500mm(2"-20")
 Capacity:0.4-490M³/min(14-17300CFM)
- Pressure:**
 One-Stage TS type 6000mm Aq.(0.6 kg/cm²).
 R type 10000mm Aq.(1 kg/cm²)
 TWO-Stage TR-type 20000mm Aq.(2 kg/cm²)
- Vacuum range:**
 One Stage-5000mm Aq.(-400mm Hg.)
 Two-Stage-8000mm Aq.(-600mm Hg.)
2. Delivers completely oil-free air.
3. Low oscillation and low noise by complete balancing.
4. Small change in capacity against change in pressure.
5. High efficiency due to special profile.
6. Simple structure, free from trouble.
7. Highest quality pilot & Accurate gear applied.
 Long life and low noise assured.
8. Standardized product with strict quality control.

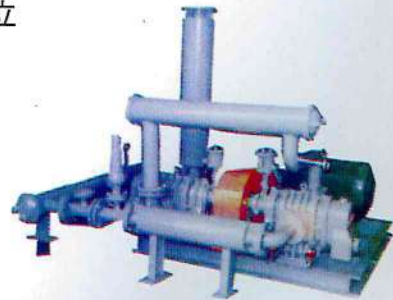
TS型本機



TS型組立



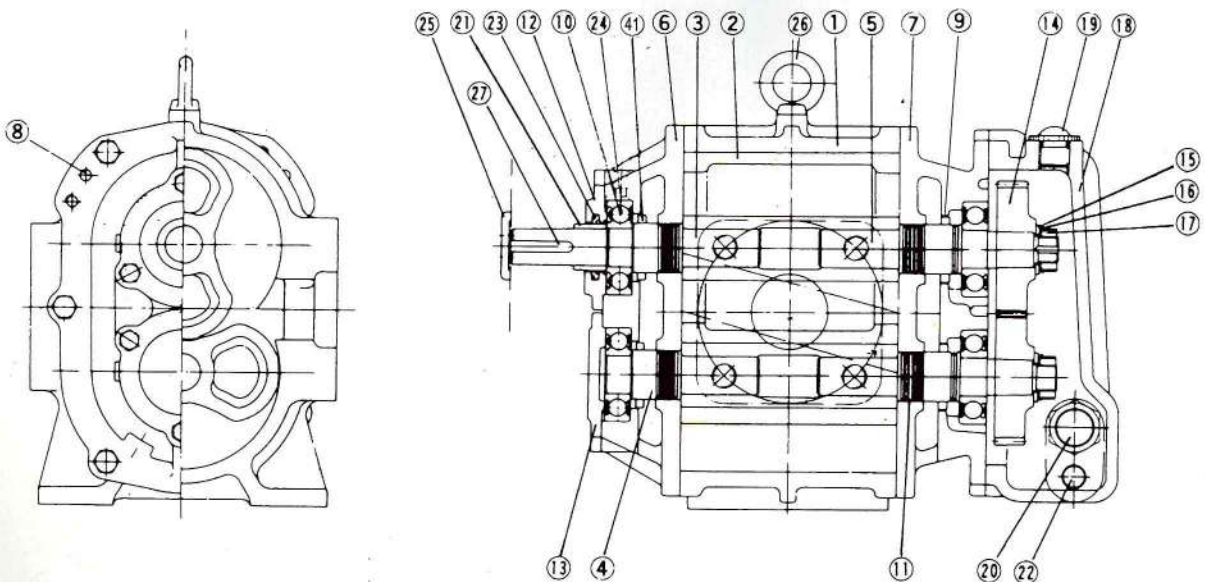
二段式組立



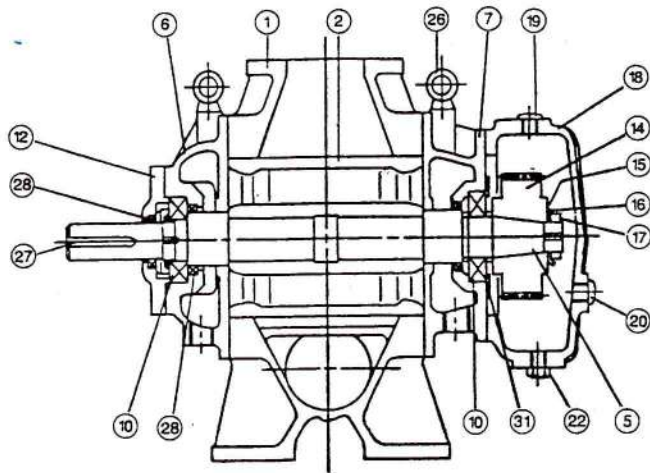
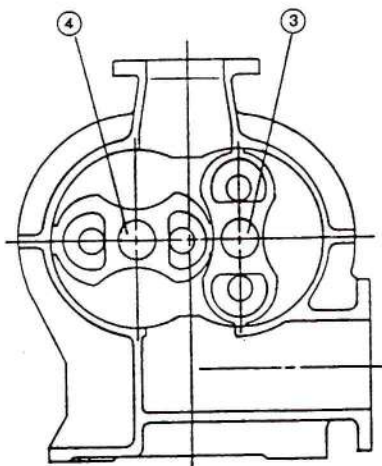
R型組立



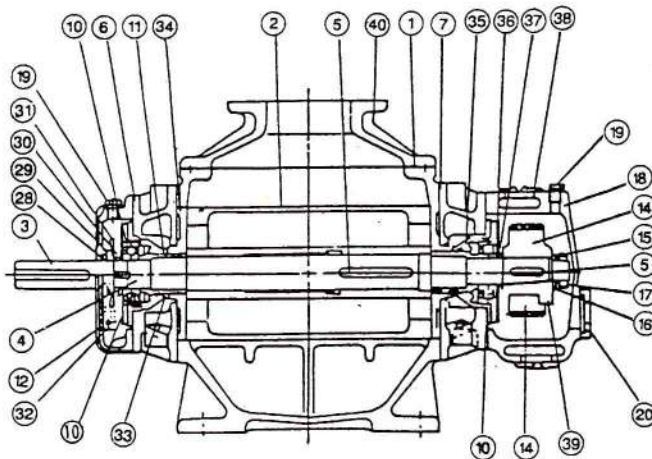
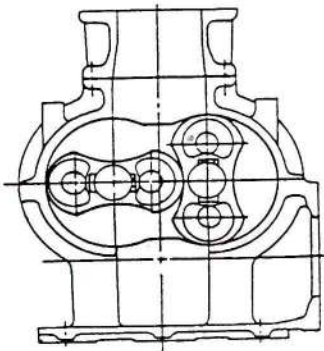
TS 型 構造圖 Structural Drawing



R 型



R-S 型



STANDARD MATERIAL

No.	Name	Material	Q'ty	No.	Name	Material	Q'ty	No.	Name	Material	Q'ty
1	Casing	FC250	1	15	Gear plate	SS400	2	29	Lock nut	S45C	4
2	Impeller	FC250	2	16	Lock nut washer	SS400	2	30	Lock washer	S45C	4
3	Drive shaft	S45C	1	17	Lock nut	SS400	2	31	Splash	SPC1	1
4	Driven Shaft	S45C	1	18	Gear case	FC250	1	32	Oil gauge	Acrylic	1
5	Gear shaft	S45C	2	19	Lubrication plug	Resin	1	33	V ring	NBR	4
6	Side cover (drive side)	FC250	1	20	Oil gauge	Plastic	1	34	Side plate	FC250	4
7	Side cover (driven side)	FC250	1	21	Collar	S45CH	1	35	Bearing case	FC250	4
8	Parallel pin	S20C	4	22	Drain plug	FCMB270	1	36	Bearing Cover	SPC1	4
9	Stop ring	NBR	2	23	Z seal	NBR	1	37	Gear sleeve	S45C	2
10	Ball bearing	SUJ2	4	24	Grease nipple	SS400	2	38	Jacket cover	FC250	2
11	Labyrinth seal	S45C	4	25	End plate	SS400	1	39	Gear inner	S45C	1
12	Bearing holder (drive side)	FC250	1	26	Eye bolt	SS400	1	40	Reducer	FC250	1
13	Bearing holder (driven side)	FC250	1	27	Parallel key	S50C	1	41	Tc oil seal	NBR	2
14	Gear	SCM21	2	28	Oil seal	NBR	1				

TS型雙轉子魯氏鼓風機性能表

TS Type Two-Rotor Rotary Blower Performance Table

Qs:Suction phase air volume (m³/min) La:Required electric power (kw)

Model No.	Discharge Pressure	Suction Volume Qs (m ³ /min) at each Discharge Pressure & Required Power																								Discharge Pressure
		1000 ^{mmAq}		1500 ^{mmAq}		2000 ^{mmAq}		2500 ^{mmAq}		3000 ^{mmAq}		3500 ^{mmAq}		4000 ^{mmAq}		4500 ^{mmAq}		5000 ^{mmAq}		5500 ^{mmAq}		6000 ^{mmAq}				
		Qs	La	Qs	La	Qs	La	Qs	La	Qs	La	Qs	La	Qs	La	Qs	La	Qs	La	Qs	La	Qs	La			
TSB-50 Bore 50A JIS 10k	R.P.M.																									R.P.M.
	770	0.89	0.53	0.78	0.64	0.69	0.75	0.62	0.86	0.55	0.97	0.48	1.08	0.42	1.19											770
	900	1.11	0.57	1.00	0.70	0.91	0.83	0.84	0.95	0.77	1.08	0.70	1.21	0.64	1.34			0.58	1.47	0.52	1.59					900
	950	1.20	0.60	1.09	0.74	1.00	0.87	0.93	1.01	0.86	1.15	0.79	1.28	0.73	1.42			0.67	1.55	0.63	1.69	0.56	1.82			950
	1000	1.29	0.62	1.18	0.76	1.09	0.90	1.02	1.03	0.95	1.19	0.88	1.33	0.82	1.47			0.76	1.61	0.70	1.76	0.65	1.90			1000
	1080	1.43	0.66	1.32	0.81	1.23	0.97	1.16	1.12	1.09	1.28	1.02	1.43	0.96	1.58			0.90	1.74	0.84	1.89	0.79	2.05			1080
	1150	1.54	0.70	1.43	0.86	1.34	1.03	1.27	1.19	1.20	1.35	1.13	1.52	1.08	1.68			1.01	1.84	0.95	2.01	0.90	2.17	0.85	2.33	1150
	1300	1.81	0.76	1.70	0.95	1.61	1.13	1.54	1.32	1.47	1.50	1.40	1.69	1.34	1.88			1.28	2.09	1.22	2.23	1.17	2.43	1.12	2.63	1300
1450	2.07	0.84	1.96	1.04	1.87	1.25	1.80	1.46	1.73	1.66	1.66	1.87	1.60	2.06			1.54	2.28	1.48	2.49	1.43	2.69	1.38	2.94	1450	
1620	2.37	0.91	2.26	1.15	2.17	1.38	2.10	1.61	2.03	1.84	1.96	2.07	1.90	2.30			1.84	2.53	1.78	2.76	1.73	2.99	1.67	3.28	1620	
1750	2.59	0.97	2.48	1.22	2.39	1.47	2.32	1.72	2.25	1.97	2.18	2.22	2.12	2.47			2.06	2.71	2.00	2.96	1.95	3.21	1.90	3.54	1750	
TSB-65 Bore 65A JIS 10k	850	1.50	0.70	1.36	0.87	1.24	1.04	1.18	1.22	1.04	1.39	0.95	1.56	0.87	1.74			0.80	1.91	0.72	2.08					850
	900	1.62	0.74	1.48	0.92	1.36	1.10	1.25	1.29	1.16	1.47	1.07	1.65	0.99	1.84			0.92	2.02	0.84	2.20	0.78	2.38			900
	950	1.75	0.79	1.61	0.98	1.49	1.18	1.38	1.37	1.29	1.56	1.20	1.76	1.12	1.95			1.05	2.14	0.97	2.34	0.91	2.53			950
	1000	1.87	0.81	1.73	1.01	1.61	1.22	1.50	1.42	1.41	1.62	1.32	1.83	1.24	2.03			1.17	2.23	1.09	2.43	1.03	2.63			1000
	1080	2.07	0.87	1.93	1.09	1.81	1.31	1.70	1.53	1.61	1.75	1.52	1.97	1.44	2.19			1.37	2.41	1.30	2.63	1.23	2.85	1.16	3.01	1080
	1150	2.24	0.93	2.10	1.16	1.98	1.40	1.87	1.63	1.78	1.86	1.67	2.10	1.61	2.33			1.54	2.56	1.46	2.80	1.40	3.03	1.34	3.21	1150
	1300	2.62	1.02	2.48	1.29	2.36	1.55	2.25	1.81	2.16	2.08	2.07	2.34	1.99	2.61			1.92	2.88	1.84	3.14	1.78	3.46	1.71	3.63	1300
	1450	2.99	1.11	2.85	1.41	2.73	1.70	2.62	2.00	2.53	2.29	2.44	2.59	2.36	2.88			2.29	3.18	2.21	3.47	1.75	3.77	2.08	4.04	1450
1620	3.42	1.21	3.28	1.54	3.16	1.87	3.05	2.20	2.96	2.53	2.87	2.86	2.79	3.19			2.72	3.52	2.64	3.85	2.58	4.18	2.51	4.52	1620	
1750	3.74	1.31	3.60	1.67	3.48	2.03	3.37	2.38	3.28	2.74	3.19	3.10	3.11	3.45			3.04	3.80	2.96	4.16	2.90	4.52	2.83	4.88	1750	
TSC-80 Bore 80A JIS 10k	760	3.16	1.24	2.92	1.58	2.72	1.92	2.55	2.26	2.39	2.61	2.25	2.95	2.12	3.29			1.99	3.63	1.87	3.98	1.76	4.32			760
	810	3.43	1.30	3.19	1.67	2.99	2.03	2.82	2.39	2.66	2.76	2.52	3.12	2.39	3.49			2.26	3.85	2.14	4.21	2.03	4.57			810
	870	3.77	1.39	3.53	1.78	3.33	2.17	3.16	2.56	3.00	2.95	2.86	3.35	2.73	3.74			2.60	4.13	2.48	4.52	2.37	4.90	2.25	5.21	870
	920	4.04	1.46	3.80	1.88	3.60	2.29	3.43	2.70	3.27	3.12	3.13	3.53	3.00	3.95			2.87	4.36	2.75	4.77	2.67	5.19	2.53	5.51	920
	980	4.37	1.55	4.13	2.00	3.93	2.44	3.76	2.87	3.60	3.32	3.46	3.76	3.33	4.20			3.20	4.64	3.08	5.08	2.97	5.53	2.86	5.87	980
	1040	4.70	1.64	4.46	2.11	4.26	2.58	4.09	3.04	3.93	3.51	3.79	3.98	3.66	4.45			3.53	4.91	3.41	5.38	3.30	5.85	3.19	6.23	1040
	1170	5.42	1.79	5.18	2.31	4.98	2.84	4.81	3.37	4.65	3.89	4.51	4.42	4.38	4.95			4.25	5.48	4.13	6.00	4.02	6.53	3.91	7.01	1170
	1260	5.91	1.91	5.67	2.47	5.47	3.04	5.30	3.61	5.14	4.17	5.00	4.77	4.87	5.31			4.74	5.88	4.62	6.44	4.51	7.01	4.40	7.55	1260
1350	6.41	2.04	6.17	2.65	5.97	3.26	5.80	3.86	5.64	4.47	5.50	5.08	5.37	5.69			5.24	6.29	5.12	6.90	5.01	7.51	4.90	8.09	1350	
1450	6.96	2.16	6.72	2.81	6.52	3.46	6.35	4.12	6.19	4.77	6.05	5.42	5.92	6.08			5.79	6.73	5.67	7.37	5.56	8.03	5.45	8.69	1450	
1620	7.90	2.41	7.66	3.14	7.46	3.87	7.29	4.60	7.13	5.33	6.99	6.06	6.86	6.79			6.68	7.52	6.47	8.23	6.37	8.97	6.25	9.71	1620	
TSC-100 Bore 100A JIS 10k	760	4.42	1.49	4.12	1.96	3.86	2.43	3.64	2.90	3.44	3.37	3.25	3.85	3.08	4.32			2.92	4.79	2.76	5.26	2.62	5.73			760
	810	4.80	1.60	4.50	2.11	4.24	2.61	4.02	3.11	3.82	3.61	3.63	4.11	3.46	4.62			3.30	5.12	3.14	5.62	3.00	6.12	2.87	6.59	810
	870	5.25	1.73	4.95	2.27	4.69	2.81	4.47	3.34	4.27	3.88	4.08	4.42	3.91	4.96			3.75	5.50	3.59	6.03	3.45	6.57	3.32	7.08	870
	920	5.63	1.84	5.33	2.41	5.07	2.98	4.85	3.55	4.65	4.12	4.46	4.70	4.29	5.26			4.13	5.83	3.97	6.40	3.83	6.97	3.70	7.49	920
	980	6.08	1.96	5.78	2.57	5.52	3.18	5.30	3.78	5.10	4.39	4.91	4.99	4.74	5.60			4.58	6.21	4.42	6.81	4.28	7.42	4.16	7.98	980
	1040	6.54	2.09	6.24	2.73	5.98	3.38	5.76	4.02	5.56	4.66	5.37	5.31	5.20	5.95			5.04	6.60	4.88	7.24	4.74	7.88	4.61	8.46	1040
	1170	7.52	2.30	7.22	3.02	6.98	3.75	6.74	4.47	6.54	5.20	6.35	5.92	6.18	6.64			6.02	7.37	5.86	8.09	5.72	8.81	5.60	9.52	1170
	1260	8.21	2.46	7.91	3.24	7.65	4.02	7.43	4.80	7.23	5.58	7.04	6.36	6.87	7.14			6.71	7.93	6.55	8.70	6.41	9.48	6.28	10.25	1260
1350	8.86	2.62	8.56	3.45	8.30	4.29	8.08	5.12	7.88	5.95	7.69	6.79	7.52	7.62			7.36	8.40	7.20	9.29	7.06	10.20	6.96	10.99	1350	
1450	9.66	2.80	9.36	3.70	9.10	4.60	8.88	5.50	8.68	6.40	8.49	7.30	8.32	8.19			8.16	9.09	8.00	9.99	7.86	10.90	7.72	11.80	1450	
1620	10.94	3.13	10.64	4.13	10.38	5.14	10.16	6.15	9.96	7.15	9.77	8.16	9.60	9.15			9.44	10.16	9.28	11.16	9.14	12.18	8.92	13.50	1620	
TSD-125 Bore 125A JIS 10k	720	8.21	2.49	7.81	3.31	7.45	4.14	7.15	4.96	6.88	5.78	6.62	6.60	6.39	7.42			6.17	8.24	5.95	9.06	5.75	9.88	5.52	10.62	720
	770	8.91	2.66	8.51	3.54	8.15	4.42	7.85	5.29	7.58	6.17	7.32	7.05	7.10	7.92			6.87	8.80	6.65	9.68	6.45	10.60	6.21	11.36	770
	820	9.61	2.82	9.21	3.76	8.85	4.69	8.55	5.63	8.28	6.56	8.00	7.50	7.79	8.45			7.57	9.37	7.35	10.30	7.15	11.30	6.91	12.10	820
	870	10.30	2.99	9.91	4.00	9.55	5.00	9.25	5.96	8.98	6.95	8.72	7.95	8.49	8.95			8.27	9.94	8.05	11.00	7.85	11.90	7.61	12.84	870
	920	11.00	3.15	10.60	4.20	10.20	5.25	9.95	6.30	9.68	7.35	9.42	8.40	9.19	9.45			8.97	10.50	8.75	11.60	8.55	12.70	8.31	13.57	920
	970	11.60	3.30	11.20	4.41	10.90	5.51	10.60	6.61	10.30	7.71	10.00	8.82	9.84	9.92			9.62	10.90	9.40	12.10	9.20	13.20	9.01	14.31	970
	1030	12.50	3.50	12.10	4.68	11.80	5.86	11.50	7.02	11.20	8.21	10.90	9.39	10.70	10.60			10.50	11.80	10.30	13.00	10.10	14.20	9.84	15.20	1030
	1100	13.50	3.72	13.10	4.97	12.70	6.20	12.40	7.48	12.10	8.73	11.40	9.99	11.70	11.20			11.40	12.50	11.20	13.80	11.00	15.00	10.82	16.23	1100
1150	1																									

R型雙轉子魯氏鼓風機性能表



R-Type Two-Rotor Rotary Blower Performance Table(1)

Type	Bore mm	R.P.M r.p.m	Theoretical Volume m ³ /min	Suction Volume Qs (m ³ /min) at each Discharge Pressure & Required Power																				R.P.M r.p.m		
				0.1kgf/cm ²		0.2kgf/cm ²		0.3kgf/cm ²		0.4kgf/cm ²		0.5kgf/cm ²		0.6kgf/cm ²		0.7kgf/cm ²		0.8kgf/cm ²		0.9kgf/cm ²		1.0kgf/cm ²				
				Qs	La	Qs	La	Qs	La	Qs	La	Qs	La	Qs	La	Qs	La	Qs	La	Qs	La	Qs	La		Qs	La
RB-50	50°	1150	1.57	1.00	0.6	0.82	0.8	0.69	1.1	0.57	1.4	0.45	1.6												1150	
		1450	1.98	1.41	0.7	1.23	1.0	1.10	1.4	0.98	1.7	0.86	2.0												1450	
		1750	2.40	1.83	0.8	1.65	1.2	1.52	1.6	1.40	2.0	1.28	2.4	1.18	2.8	1.10	3.2								1750	
		2000	2.74	2.17	0.9	1.99	1.4	1.86	1.8	1.74	2.3	1.62	2.7	1.52	3.2	1.44	3.7	1.34	4.1						2000	
		2500	3.42	2.85	1.1	2.67	1.7	2.54	2.3	2.42	2.8	2.30	3.4	2.20	4.0	2.12	4.6	2.02	5.1	1.97	5.7				2500	
3000	4.11	3.54	1.3	3.36	2.0	3.23	2.7	3.11	3.4	2.99	4.1	2.89	4.7	2.81	5.4	2.71	6.1	2.66	6.8	2.61	7.5		3000			
RB-65	65°	1150	2.29	1.49	0.8	1.19	1.2	0.98	1.6	0.79	2.0	0.64	2.4												1150	
		1450	2.89	2.09	1.0	1.79	1.5	1.58	2.0	1.39	2.5	1.24	2.9	1.12	3.4										1450	
		1750	3.49	2.69	1.2	2.39	1.8	2.18	2.3	1.99	2.9	1.84	3.5	1.72	4.1	1.64	4.6								1750	
		2000	3.99	3.19	1.3	2.89	2.0	2.68	2.7	2.46	3.3	2.34	4.0	2.22	4.7	2.14	5.4	2.04	6.0						2000	
		2500	4.98	4.18	1.7	3.88	2.5	3.67	3.3	3.48	4.2	3.33	5.0	3.21	5.8	3.13	6.6	3.03	7.5							2500
3000	5.98	5.18	2.0	4.88	3.0	4.67	4.0	4.48	5.0	4.33	6.0	4.21	7.0	4.13	8.0	4.03	9.0							3000		
RC-80	80°	1150	4.48	3.18	1.3	2.83	2.1	2.53	2.8	2.28	3.5	2.03	4.3	1.83	5.0										1150	
		1450	5.66	4.36	1.6	4.01	2.6	3.71	3.5	3.46	4.4	3.21	5.4	3.01	6.3	2.86	7.3								1450	
		1750	6.83	5.53	2.0	5.18	3.1	4.88	4.3	4.63	5.4	4.38	6.5	4.18	7.6	4.03	8.7	3.88	9.8							1750
		2000	7.80	6.50	2.3	6.15	3.6	5.85	4.9	5.60	6.1	5.35	7.4	5.15	8.7	5.0	10.0	4.85	11.2	4.7	12.5				2000	
		2500	9.76	8.46	2.8	8.11	4.4	7.81	6.0	7.56	7.7	7.31	9.3	7.11	10.9	6.96	12.5	6.81	14.2	6.66	15.8	6.61	17.4		2500	
RC-100	100°	1150	6.33	4.86	1.8	4.47	2.9	4.13	3.9	3.83	4.9	3.56	6.0	3.33	7.0	3.13	8.1								1150	
		1450	7.99	6.52	2.3	6.13	3.6	5.79	4.9	5.49	6.2	5.22	7.5	4.99	8.8	4.79	10.1	4.59	11.4						1450	
		1750	9.64	8.17	2.7	7.78	4.3	7.44	5.9	7.14	7.4	6.87	9.0	6.64	10.6	6.44	12.2	6.24	13.8							1750
		2000	11.02	9.55	3.0	9.16	4.8	8.82	6.6	8.52	8.5	8.25	10.3	8.02	12.1	7.82	14.0	7.62	15.8							2000
		2500	13.7	12.3	3.8	11.9	6.1	11.6	8.4	11.3	10.6	11.0	12.9	10.8	15.2	10.6	17.5	10.4	19.7							2500
RC-115	100°	1150	8.71	6.96	2.2	6.36	3.7	5.86	5.1	5.46	6.6	5.11	8.1												1150	
		1450	10.99	9.24	3.3	8.64	5.1	8.14	6.8	7.74	8.5	7.39	10.3												1450	
		1750	13.26	11.5	3.4	10.9	5.6	10.4	7.8	10.0	10.0	9.66	12.2													1750
		1900	14.40	12.7	3.8	12.1	6.2	11.6	8.6	11.2	11.0	10.8	13.4													1900
		RD-100	100°	970	7.74	6.19	2.5	5.67	3.6	5.24	4.8	4.89	6.2	4.59	7.4	4.34	8.7	4.04	10.0							
1150	9.17			7.62	3.0	7.10	4.3	6.67	5.8	6.32	7.3	6.02	8.9	5.77	10.3	5.47	11.9	5.27	13.4						1150	
1450	11.57			10.0	3.5	9.50	5.3	9.07	7.2	8.72	9.1	8.42	11.0	8.17	13.0	7.87	14.9	7.67	16.8	7.47	18.8				1450	
1750	13.96			12.4	4.0	11.9	6.3	11.4	8.6	11.1	10.9	10.8	13.2	10.5	15.6	10.2	17.9	10.0	20.2	8.86	22.6	9.7	24.9		1750	
2000	15.96			14.4	4.5	13.9	7.1	13.4	9.8	13.1	12.5	12.8	15.2	12.5	17.8	12.2	20.5	12.0	23.2	11.8	25.8	11.7	28.4		2000	
RD-125	125°	970	11.12	8.92	2.8	8.32	4.6	7.82	6.5	7.37	8.4	7.02	10.2	6.67	12.1	6.34	14.0	6.07	15.8						970	
		1150	13.19	11.0	3.3	10.4	5.5	9.89	7.7	9.44	9.9	9.09	12.1	8.74	14.4	8.44	16.6	8.14	18.8	7.89	21.0				1150	
		1450	16.63	14.4	4.2	13.8	6.9	13.3	9.7	12.9	12.5	12.5	15.3	12.2	18.1	11.9	20.9	11.6	23.7	11.33	26.5	11.1	29.3		1450	
		1750	20.07	17.9	5.0	17.3	8.4	16.8	11.7	16.3	15.1	16.0	18.5	15.6	21.8	15.3	25.2	15.0	28.6	14.7	31.9	14.5	35.3		1750	
		2000	22.94	20.7	5.7	20.1	9.5	19.6	13.4	19.2	17.2	18.8	21.1	18.5	24.9	18.2	28.8	17.9	32.6	17.6	36.5	17.4	40.3		2000	
RD-127	125°	970	13.54	11.0	3.4	10.2	5.7	9.54	7.9	8.94	10.2	8.44	12.5	8.0	14.7	7.64	17.0								970	
		1150	16.06	13.5	4.0	12.7	6.7	12.0	9.3	11.4	12.0	11.0	14.7	10.5	17.4	10.1	20.1	9.80	22.8						1150	
		1450	20.24	17.7	5.0	16.9	8.4	16.2	11.7	15.6	15.2	15.1	18.6	14.7	22.0	14.3	25.5	14.0	28.9	13.7	32.1				1450	
		1750	24.43	21.9	5.9	21.8	10.0	20.4	14.1	19.8	18.1	19.3	22.3	18.9	26.4	18.5	30.5	18.2	34.6	17.9	38.7				1750	
		2000	27.93	25.4	6.8	24.6	11.5	23.9	16.1	23.3	20.7	22.8	25.4	22.4	30.1	22.0	34.8	21.7	39.5	21.4	44.2				2000	
RD-130	125°	970	16.93	13.8	4.3	12.9	7.2	12.2	10.0	11.5	12.8	11.0	15.7	10.5	18.5	10.0	21.4								970	
		1150	20.07	17.0	5.0	16.0	8.4	15.3	11.8	14.7	15.0	14.1	18.5	13.6	21.9	13.1	25.3	12.8	28.6						1150	
		1450	25.30	22.0	6.2	21.3	10.5	20.6	14.4	19.9	19.0	19.4	23.2	18.9	27.5	18.4	31.7	18.0	36.0							1450
		1750	30.54	27.4	7.5	26.5	12.6	25.8	17.7	25.1	22.8	24.6	28.0	24.1	33.1	23.6	38.2	23.3	43.3							1750
		2000	34.90	31.8	8.5	30.9	14.3	30.2	20.2	29.5	26.0	28.9	31.9	28.5	37.7	28.0	43.6	27.6	49.5							2000
RD-150	150°	970	20.80	17.2	5.2	16.1	8.7	15.2	12.2	14.5	15.7	13.8	19.2	13.2	22.7	12.7	26.2								970	
		1150	24.66	21.1	6.0	20.0	10.2	19.1	14.4	18.4	18.5	17.7	22.7	17.0	26.8	16.5	31.0								1150	
		1450	31.09	27.5	7.5	26.4	12.7	25.5	18.0	24.8	23.2	24.1	28.5	23.5	33.7	23.0	39.0								1450	
		1750	37.53	33.9	9.0	32.8	15.3	31.9	21.6	31.2	28.0	30.5	34.3	29.9	40.6	30.7	47.0								1750	
		2000	42.89	39.3	10.2	38.2	17.5	37.3	24.7	36.6	31.9	35.9	39.1	35.3	46.4											2000
RME-150	150°	1170	33.1	29.2	8.04	28.3	13.6	27.5	19.0	26.8	24.6	26.1	30.0	25.5	35.6	25.0	41.0	24.6	46.6	24.2	52.0	23.8	57.6		1170	
		1250	35.3	31.4	8.59	30.4	14.5	29.7	20.3	29.0	26.3	28.3	32.1	27.7	38.0	27.2	43.8	26.8	49.8	26.4	55.6	26.0	61.5		1250	
		1350	38.2	34.3	9.28	33.4	15.7	32.6	22.0	31.9	28.4	31.2	34.6	30.6	41.0	30.1	47.3	29.7	53.7	29.3	60.0	28.7	66.4		1350	
		1500	42.3	38.4	10.31	37.5	17.4	36.7	24.4	36.0	31.5	35.3	38.5	34.7	45.6	34.2	52.6	33.8	59.7	33.4	66.7	33.0	73.8		1500	
		RME-200	200°	1170	50.1	45.1	11.5	44.0	20.0	42.7	28.5	41.6	36.8	40.6	45.2	39.6	53.7	38.8	62.1							
1250	53.5			48.5	12.3	47.4	21.3	46.1	30.4	45.0	39.3	44.0	48.3	43.0	57.3	42.2	66.3								1250	
1350	57.8			52.8	13.2	51.7	23.0	50.4	32.8	49.3	42.5	48.8	52.1	47.3	61.9	46.5	71.6								1350	
1500	64.2			59.2	14.7	58.1	25.6	56.8	36.5	55.7	47.2	54.7	57.9	5												

R型雙轉子魯氏鼓風機性能表

R-Type Two-Rotor Rotary Blower Performance Table (2)

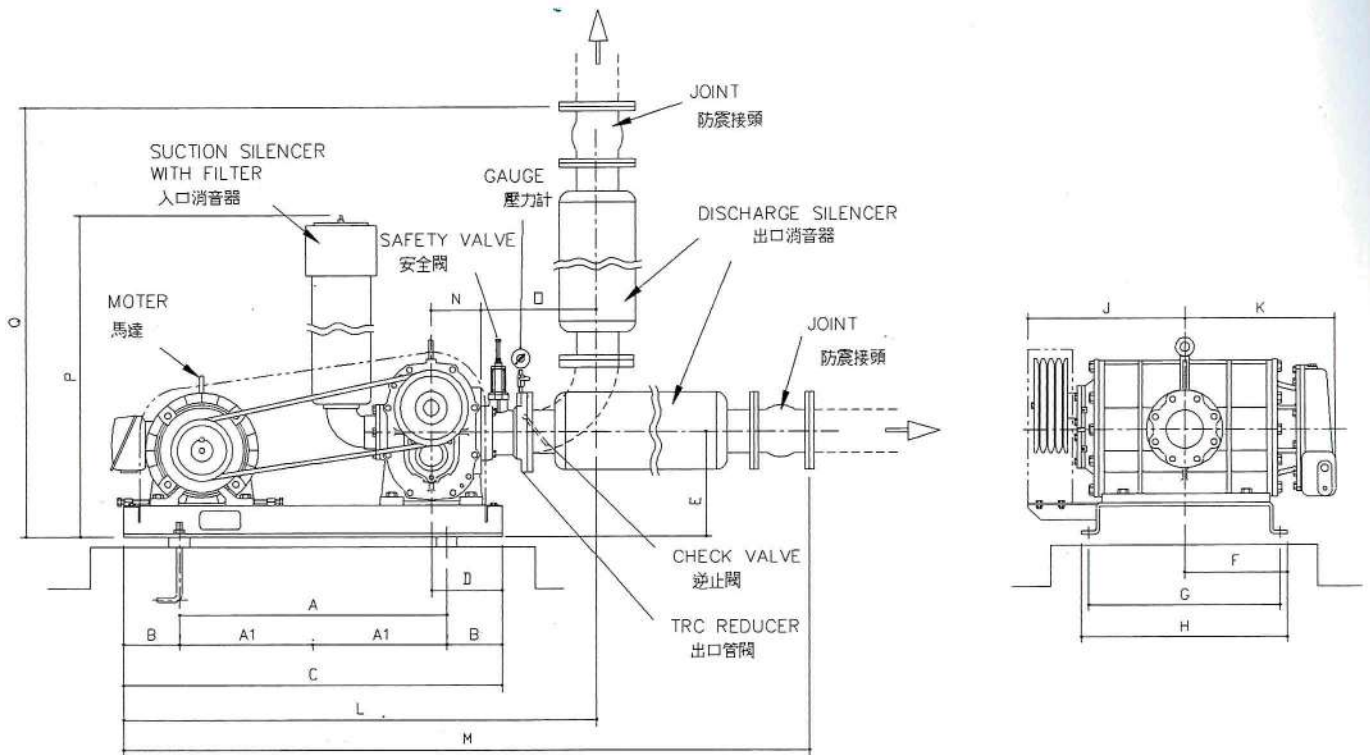
Type	Bore mm	R.P.M r.p.m	Theoretical Volume m ³ /min	Suction Volume Qs (m ³ /min) at each Discharge Pressure & Required Power																R.P.M r.p.m				
				0.1kgf/cm ²		0.2kgf/cm ²		0.3kgf/cm ²		0.4kgf/cm ²		0.5kgf/cm ²		0.6kgf/cm ²		0.7kgf/cm ²		0.8kgf/cm ²			0.9kgf/cm ²		1.0kgf/cm ²	
				Qs	La	Qs	La	Qs	La	Qs	La	Qs	La	Qs	La	Qs	La	Qs	La		Qs	La	Qs	La
RE-250	250°	750	53.4	46.8	12	44.8	21	43.0	30	41.5	39	40.2	48	39.0	57									750
		970	69.1	62.5	15	60.5	27	58.7	38	57.2	50	55.9	62	54.7	73									970
		1170	83.3	76.7	18	74.7	32	72.9	46	71.4	60	70.1	74	68.9	88									1170
		1250	89.0	82.4	20	80.4	35	78.6	50	77.1	64	75.8	79	74.6	94									1250
		1350	96.2	89.6	21	87.6	37	85.8	53	84.3	69	83.0	86	81.8	102									1350
RMF-250	250°	750	63.2	56.0	14.3	53.9	24.9	52.2	35.5	50.7	46.2	49.3	56.8	48.1	68.0	47.0	78.0	46.1	88.7	45.2	99.2	44.4	110	750
		880	74.1	66.9	16.8	64.8	29.3	63.1	41.7	61.6	54.2	60.2	66.6	59.0	79.8	57.9	91.5	57.0	104	56.1	116	55.3	129	880
		970	81.7	74.5	18.5	72.4	32.3	70.7	45.9	69.2	59.7	67.8	73.5	66.6	88.0	65.5	101	64.6	115	63.7	128	62.9	142	970
		1170	98.6	91.4	22.3	89.3	38.9	87.6	55.4	86.1	72.0	84.7	88.6	83.5	106	82.4	122	81.5	138	80.6	155	79.8	171	1170
		1350	111.9	102	24.7	98.7	43.5	96.3	62.2	94.4	80.9	92.7	99.7	91.1	119									
RMF-300	300°	750	95.4	85.0	21.0	82.2	37.1	79.8	53.0	77.9	69.0	76.2	85.0	74.6	101									750
		880	111.9	102	24.7	98.7	43.5	96.3	62.2	94.4	80.9	92.7	99.7	91.1	119									880
		970	123.4	113	27.2	110	47.9	108	68.6	106	89.2	104	110	103	131									970
		1170	148.8	138	32.8	136	57.8	133	82.7	131	108	130	133	128	158									1170
		1350	170.0	158	37.8	166	66.8	163	103.7	161	138	160	163	158	188									1350
RF-240	250°	650	56.0	49.6	13	47.4	22	45.8	32	44.4	41	41.3	51	41.9	60	40.9	70	39.9	79	38.9	89			650
		730	62.9	56.5	14	54.3	25	52.7	36	51.3	46	50.0	57	48.8	68	47.8	78	46.8	89	45.8	100	45.0	110	730
		800	68.9	62.5	16	60.3	27	58.7	39	57.3	51	56.0	62	54.8	74	53.8	86	52.8	98	51.8	109	51.0	121	800
		880	75.8	69.4	17	67.2	30	65.6	43	64.2	56	62.9	69	61.7	82	60.7	94	59.7	107	58.7	120	57.9	133	880
		980	84.4	78.0	19	75.8	33	74.2	48	72.8	62	71.5	76	70.3	91	69.3	105	68.3	120	67.3	134	66.5	148	980
RF-245	250°	650	70.0	61.9	16	59.3	28	57.3	39	55.5	51	54.0	63	52.5	75	51.1	86	49.8	98	48.5	110	47.5	122	650
		730	78.6	70.5	17	67.9	31	65.9	44	64.1	57	62.6	70	61.1	84	59.7	97	58.4	110	57.1	123	56.1	137	730
		800	86.1	78.0	19	75.4	34	73.4	48	71.6	63	70.1	77	68.6	92	67.2	106	65.9	121	64.6	135	63.6	150	800
		880	94.7	86.6	21	84.0	37	82.0	53	80.2	69	78.7	85	77.2	101	75.8	117	74.5	133	73.2	149	72.2	165	880
		980	105.5	97.4	23	94.8	41	92.8	59	91.0	77	89.5	95	88.0	112	86.6	130	85.3	148	84.0	165	83.0	183	980
RF-250	250°	650	87.1	76.2	19	73.5	34	71.3	48	69.4	63	67.6	78	66.0	85	64.4	107	63.0	121	61.6	136			650
		730	97.8	86.9	21	84.2	38	82.0	54	80.1	70	78.3	87	76.7	103	75.1	120	73.7	136	72.3	153	71.6	161	730
		800	107.2	96.3	23	93.6	41	91.4	59	89.5	77	87.7	95	86.1	113	84.5	131	83.1	149	81.7	167	80.4	185	800
		880	117.9	107.2	26	104.5	45	102.1	65	100.2	85	98.4	105	96.8	125	95.2	144	93.8	164	92.4	184	91.1	204	880
		980	131.3	120.4	29	117.7	51	115.5	72	113.6	95	111.8	117	110.2	139	108.6	161	107.2	183	105.8	205	104.5	227	980
RF-290	300°	650	102.6	92.3	22	88.4	39	85.4	57	83.0	74	80.8	91	78.9	108	77.2	125	75.8	142					650
		730	115.3	105.0	25	101.1	45	98.1	64	95.7	83	93.5	103	91.6	122	89.9	141	88.5	160	*730 r.p.m. shows at 0.95kgf/cm ²				730
		800	126.3	116.0	27	112.1	48	109.1	70	106.7	91	104.5	112	102.6	134	100.9	155	99.5	176					800
		880	139.0	128.7	30	124.8	53	121.8	76	119.4	100	117.2	123	115.3	146	113.6	169	112.2	192					880
		980	154.8	144.5	33	140.6	59	137.6	85	135.2	110	133.0	136	131.1	161	129.4	187	128.0	213					980
RF-295	300°	650	108.9	97.3	23	93.5	42	90.6	60	88.0	78	85.9	96	84.0	114	82.4	132	81.0	151					650
		730	122.3	110.8	26	107.0	47	104.1	67	101.5	88	99.4	108	97.5	128	95.8	149	94.4	169					730
		800	134.0	122.4	29	118.6	51	115.7	74	113.1	96	111.0	118	109.1	141	107.5	163	106.1	185					800
		880	147.4	135.8	32	132.0	56	129.1	81	126.5	105	124.4	130	122.5	155	120.9	179	119.5	204					880
		980	164.1	152.5	35	148.7	63	145.8	90	143.2	117	141.1	145	139.2	172	137.6	200	136.2	227					980
RF-300	300°	650	133.7	120.7	29	116.6	51	113.4	73	110.5	96	107.9	118	105.5	140	103.4	162	101.5	185					650
		730	150.2	137.2	32	133.1	57	129.9	82	127.0	107	124.4	132	122.0	157	119.9	182	118.0	207					730
		800	164.6	151.6	35	147.5	63	144.3	90	141.4	118	138.8	145	136.4	172	134.3	200	132.4	227					800
		880	181.1	168.1	39	164.0	69	160.8	99	157.9	129	155.3	159	152.9	190	150.8	220	148.9	250					880
		980	201.7	188.7	43	184.6	76	181.4	110	178.5	144	175.9	178	173.5	211	171.4	245	169.5	278					980
RF-350	350°	650	158.6	144.3	34	139.3	60	135.3	86	131.8	112	128.7	139	126.0	165									650
		730	178.2	163.9	38	158.9	67	154.9	97	151.4	126	148.3	156	145.6	185									730
		800	195.2	180.9	41	175.9	74	171.9	106	168.4	138	165.3	171	162.6	203									800
		880	214.8	200.5	45	195.5	81	191.5	116	188.0	152	184.9	188	182.2	223									880
		980	239.2	224.9	50	219.9	90	215.9	130	212.4	169	209.3	209	206.6	249									980
RMG-350	350°	650	162.3	150	35.2	146	62.2	142	89.2	139	116	137	143	135	170	133	197	131	225	130	251	128	278	650
		730	182.3	170	39.6	166	69.8	162	100	159	130	157	161	155	191	153	221	151	251	150	282	148	312	730
		800	199.7	188	43.4	183	76.5	180	110	177	143	174	176	172	209	170	242	169	276	167	309	166	342	800
		880	219.7	208	47.7	203	84.2	200	121	197	157	194	194	192	230	190	267	189	303	187	340	186	376	880
		980	244.6	228	51.0	222	91.7	218	132	214	173	210	213	207	254	204	295							
RMG-450	450°	650	274.7	258	57.3	253	103	248	148	244	194	240	240	237	285	234	331							650
		730	301.0	284	62.8	279	113	274	163	270	213	267	263	263	313	260	363							730
		800	331.1	315	69.1	309	124	304	179	300	234	297	289	293	344	290	399							800
		880	359.2	343	74.7	337	134	332	194	328	254	324	320	320	371	317	411							880
		980	392.2	376.7	81	369.2	147	364.0	213	359.2	279	355.2	345	351.7	411	348.2	477	*346.5	510					980
RG-350	350°	590	197.3	184.8	43	179.3	76	175.3	109	172.3	142	169.6	175	167.2	208	164.8	241	162.8	2					

外型尺寸及配管圖

OUTLINE DIMENSIONS & PIPING REFERENCE

TS

註: 1. 如因產品改良尺寸變更時, 不另行通知。
2. 如需正式承認圖面, 請與本公司連絡。



單位: mm

Type	HP	A	A1	B	C	D	E	F	G	H	J	K	L	M	N	O	P	Q	WEIGHT(Kgs) (INCLUDING MOTOR)
TSB-50	2	500	*	75	650	105	180	116	225	260	224	215	845	1380	100	200	720	915	110
TSB-50	3	500	*	75	650	105	180	149	255	290	224	215	845	1380	100	200	720	915	116
TSB-50	5	500	*	75	650	105	180	159	265	300	224	215	845	1380	100	200	720	915	127
TSB-50	7.5	500	*	90	680	105	180	198	285	320	202	215	875	1410	100	200	720	915	152
TSB-65	2	550	*	85	720	105	180	145	285	320	280	244	935	1570	100	220	785	1055	133
TSB-65	3/5	550	*	85	720	105	180	160	285	320	265	244	935	1570	100	220	785	1055	139/150
TSB-65	7.5	550	*	85	720	105	180	181	285	320	244	244	935	1570	100	220	785	1055	175
TSC-80	3	670	*	95	860	135	235	163	330	365	337	304	1125	1945	125	275	913	1295	208
TSC-80	5	670	*	95	860	135	235	160	330	365	340	304	1125	1945	125	275	913	1295	219
TSC-80	7.5/10	670	*	95	860	135	235	169	310	345	312	304	1125	1945	125	275	913	1295	244/255
TSC-80	15	670	*	123	915	135	235	244	375	410	302	304	1180	2000	125	275	913	1295	299
TSC-100	5	740	*	130	1000	135	235	209	425	460	411	350	1305	2200	125	315	985	1390	268
TSC-100	7.5/10	740	*	130	1000	135	235	220	405	440	379	350	1305	2200	125	315	985	1390	293/304
TSC-100	15/20	740	*	130	1000	135	235	229	405	440	371	350	1305	2200	125	315	985	1390	348/370
TSC-100	25/30	740	*	130	1000	135	235	243	425	460	376	350	1305	2200	125	315	985	1390	408
TSD-125	15/20	*	500	85	1170	185	325	249	415	445	392	375	1555	2690	180	390	1210	1770	518/540
TSD-125	25/30	*	500	85	1170	185	325	220	415	445	391	375	1555	2690	180	390	1210	1770	578
TSD-125	40	*	500	85	1170	185	325	225	415	445	366	375	1555	2690	180	390	1210	1770	612
TSD-150	20-60	*	575	70	1290	190	320	225	515	550	470	450	1730	3075	180	440	1290	2060	Max 810
TSE-200	25-75	*	570	130	1290	210	375	260	615	650	470	520	1870	3365	210	580	1520	2490	Max 1130

TSB-50 ~ TSD-125 使用鐵板底座。 TSD-150 ~ TSE-200使用槽鐵底座。

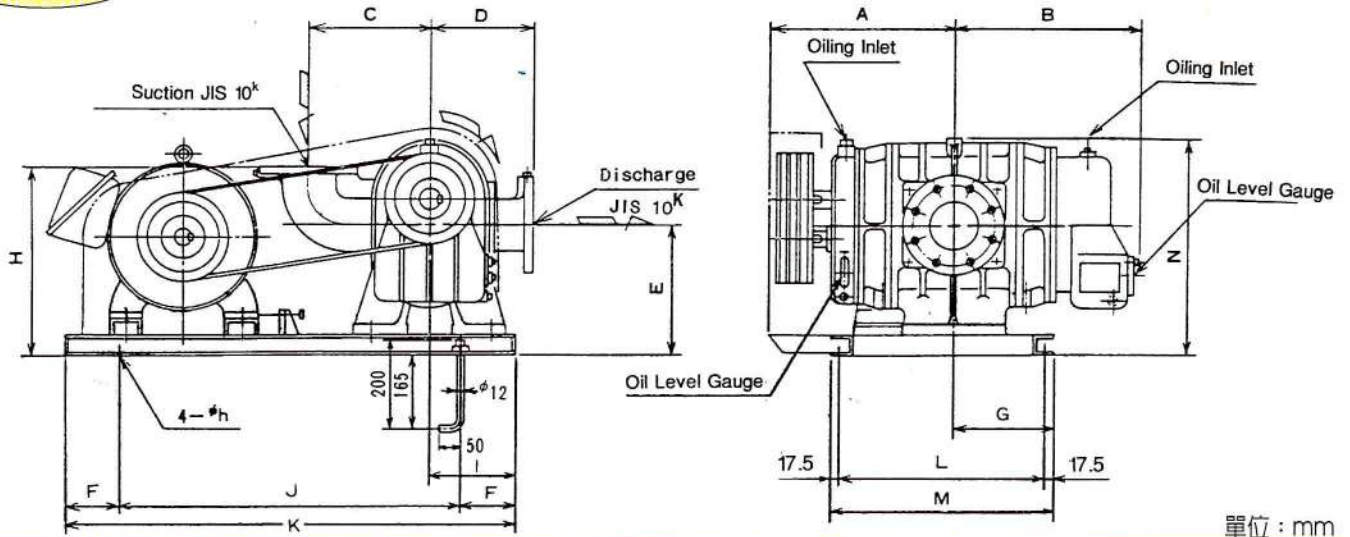
TSB-50 ~ TSD-125 Use iron plate base. TSD-150 ~ TSE-200 Use trough iron base.

外型尺寸

OUTLINE DIMENSIONS

(註：如因產品改良致尺寸變更時，不另行通知)

RB.RC

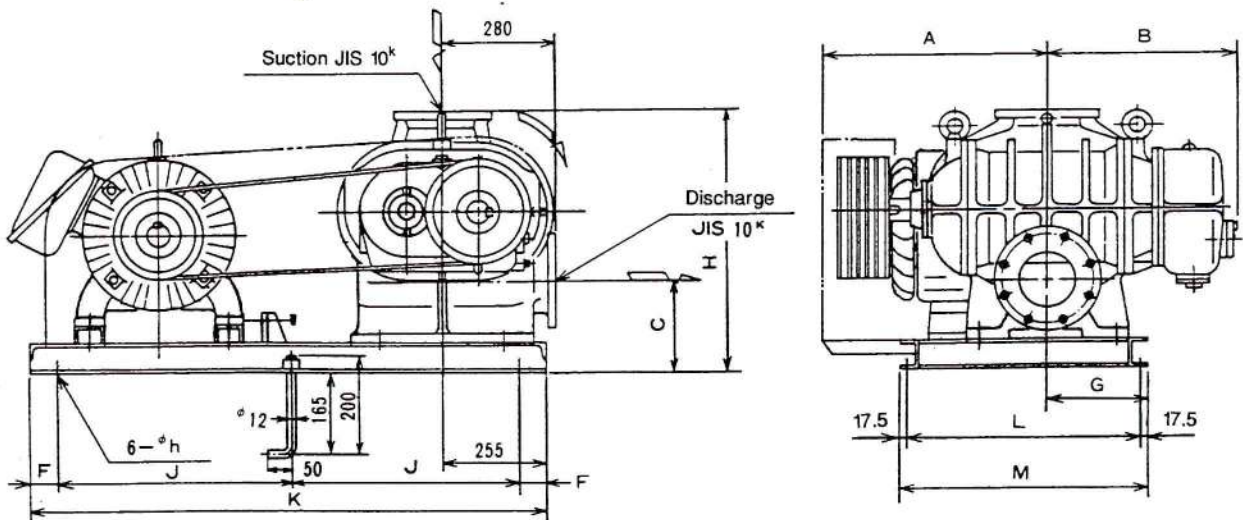


單位：mm

Type	Motor(kw)	Bore	A	B	C	D	E	F	G	H	I	J	K	L	M	φ h	N	Weight kg
RB-50	2.2 3.7	50 ^A	270	271	203	173	260	100	130	350	150	590	740	285	320	14	406	80
	5.5 7.5		280	600	800	325	360											
RB-65	1.5~3.7	65 ^A	290	296	223	178	260	100	120	360	150	560	760	315	350	14	477	90
	5.5 7.5		170	630	830	325	360											
RC-80	5.5 7.5	80 ^A	330	360	250	215	295	120	130	415	190	660	900	335	370	14	477	160
	11~18.5		350	740	980	435	470											
RC-100	11~18.5	100 ^A	400	395	260	225	295	120	210	425	190	740	980	445	480	14	477	190
	22~30		260	780	1020	485	520											
RC-115	11~15	100 ^A	450	440	260	235	275	120	170	415	190	740	980	445	480	14	453	240
	18.5		190	780	1020													

(Weight:Only Blower)

RD



單位：mm

Type	Motor(kw)	Bore	A	B	C	F	G	H	J	K	L	N	φ h	Weight kg
RD-100	5.5~11	100 ^A	375	350	185	70	170	615	455	1050	410	445	14	290
	15~22		70	170	615	455	1050	410	445					
RD-125	7.5~15	125 ^A	410	385	205	70	210	635	480	1100	475	510	14	350
	18.5~37		70	210	635	480	1100	475	510					
RD-127	11~18.5	125 ^A	470	445	205	70	240	635	480	1100	565	600	14	400
RD-130	22~45	125 ^A	470	445	205	70	240	635	480	1100	565	600	14	400
RD-150	11~18.5	150 ^A	540	485	225	70	260	575	530	1200	615	650	14	520
	22~45		70	260	575	530	1200	615	650					

(Weight:Only Blower)

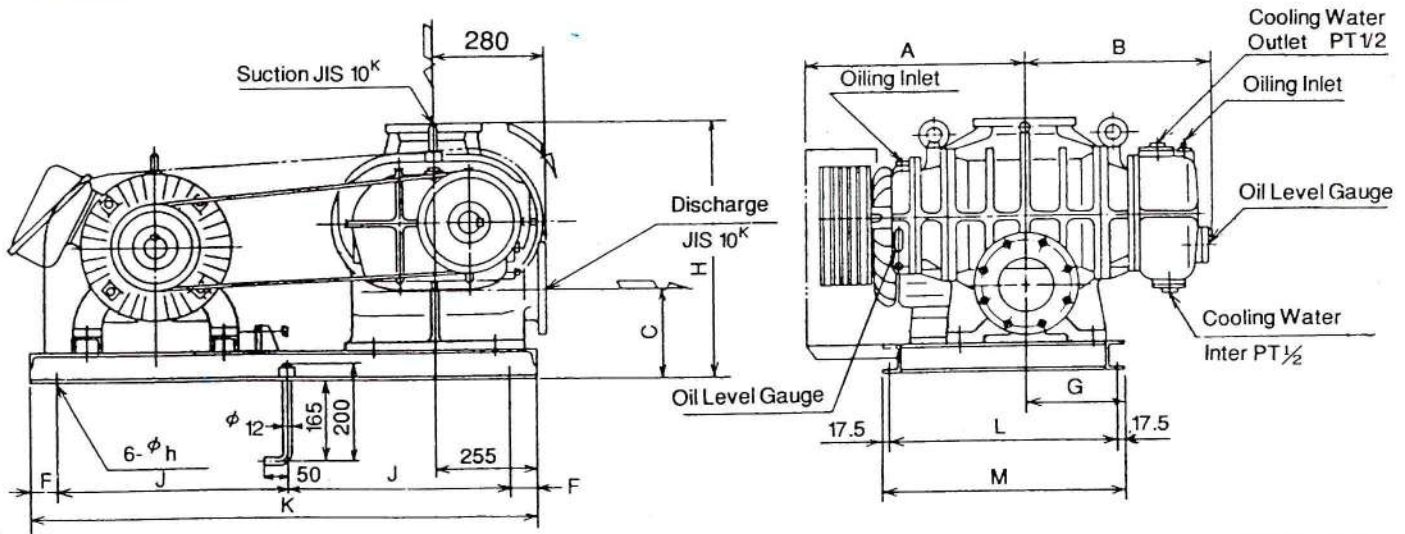
外型尺寸

OUTLINE DIMENSIONS



(註：如因產品改良致尺寸變更時，不另行通知)

RDS

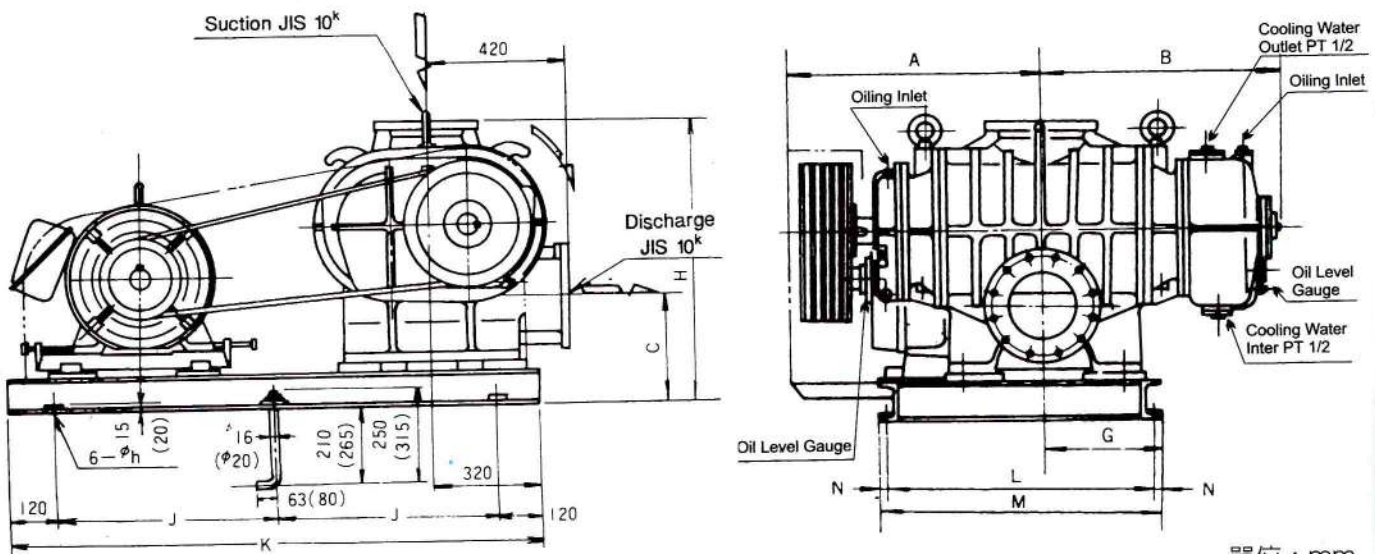


單位：mm

Type	Motor(kw)	Bore	A	B	C	F	G	H	J	K	L	N	φh	Weight kg
RDS-100	5.5~11	100 ^A	390	365	185	70	170	615	455	1050	425	460	14	295
	15~22													
RDS-125	7.5~15	125 ^A	430	397	205	70	210	635	480	1100	495	530	14	360
	18.5~37													
RDS-127	11~18.5	125 ^A	500	457	205	70	240	635	480	1100	595	630	14	410
RDS-130	22~45													
RDS-150	11~18.5	150 ^A	560	497	225	70	260	575	530	1200	635	670	14	530
	22~45													

(Weight: Only Blower)

RE



單位：mm

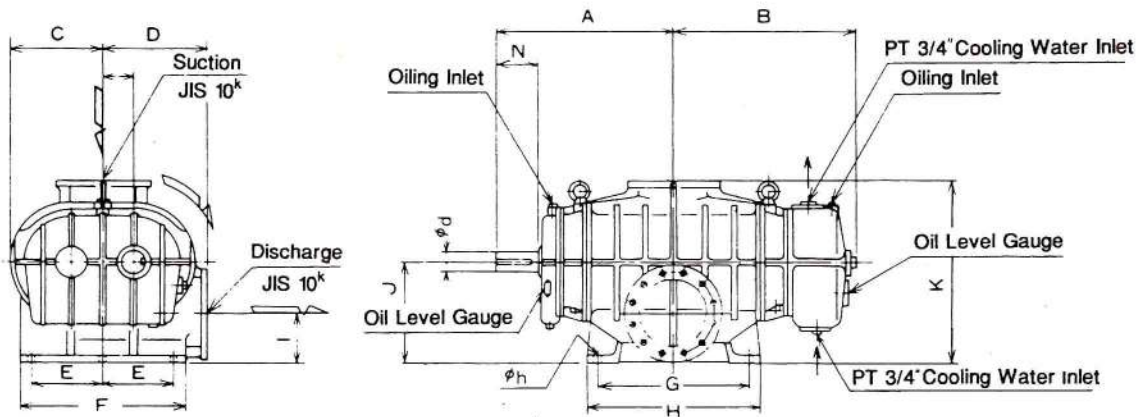
Type	Motor(kw)	d ^A	A	B	C	G	H	J	K	L	M	N	φh	Weight kg	Type	MotOr(kw)	d ^A	A	B	C	G	H	J	K	L	M	N	φh	Weight kg
RE-140	11~22							580	1400						RE-190	15~22						580	1400	840	880			1130	
RE-145	30~55	150 ^A	550	550	270	220	820	630	1500			20	22	870	RE-200	30~55	200 ^A	690	685	320	300	860	630	1500	810	850	20	22	1130
	75~112							730	1700	670	710			870	RE-250	75~112						730	1700	780	820				
RE-150	11~22							580	1400													580	1400						
	30~55	150 ^A	550	590	280	220	830	630	1500			20	22	920	RE-250	30~55	250 ^A	770	750	330	380	940	630	1500	960	1000	20	22	1300
	75~112							730	1700	670	710											730	1700						

(Weight: Only Blower)

外型尺寸

OUTLINE DIMENSIONS

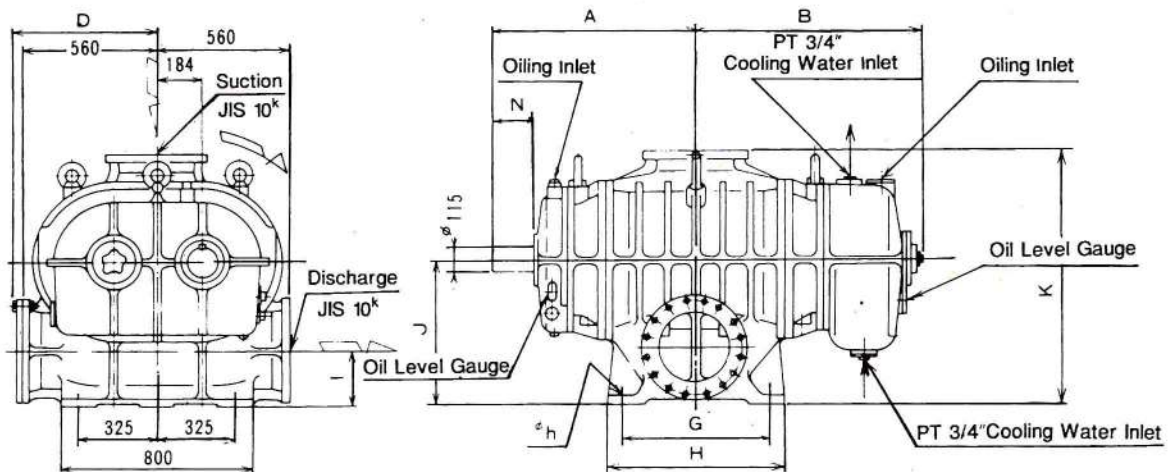
(註：如因產品改良致尺寸變更時，不另行通知)



單位：mm

Type	Bore	A	B	C	D	E	F	G	H	I	J	K	N	ϕd	ϕh	Weight kg
RME-150	150 ^A	525	535	305	350	400	500	310	400	155	335	630	150	70	4- $\phi 28$	650
RME-200	200 ^A	620	630					500	590	175	355	650	150	70	4- $\phi 28$	750
RMF-250	250 ^A	715	740	450	500	350	800	470	570	215	470	875	200	95	6- $\phi 28$	1700
RMF-300	300 ^A	850	875					740	840	240	500	900	200	95	6- $\phi 28$	2150
RMG-350	350 ^A	915	975	630	700	400	1080	650	780	250	600	1150	200	120	6- $\phi 33$	3600
RMG-450	450 ^A	1100	1160					1000	1150	320	670	1220	200	120	6- $\phi 33$	4500

(Weight: Only Blower)



單位：mm

Type	Bore	A	B	D	G	H	I	J	K	N	Weight kg	Remarks
RF-240	250 ^A	720	810	601	400	480	210	570	1040	179	2000	Delivery Flange 12-M22 depth34
RF-245		775	865		460	590	220	2280				
RF-250	300 ^A	845	935	603	600	730	230	600	1060	2660		
RF-290		925	1015		710	860	250	630	1090	2660		
RF-295		1010	1095		900	1050	250	630	1150	184	3000	
RF-300	350 ^A	1010	1095	603	900	1050	250	630	1150	184	3450	With Suction reducer
RF-350											3450	

(Weight: Only Blower)